



目录

Multifunction Adapter	2
I Product Introduction.....	3
II Compatibility.....	3
III Working Mode.....	3
IV Product Port Instructions.....	4
V Product Parameters.....	4
VI Product Precautions.....	5
多功能扩展坞	6
一、产品介绍.....	7
二、兼容性.....	7
三、同屏功能	7
四、产品端口说明图示.....	8
五、产品参数.....	8
六、产品注意事项.....	9

Multifunction Adapter

User Manual



Model : HSV1521

Peaes read this instruction completely and keep it properly

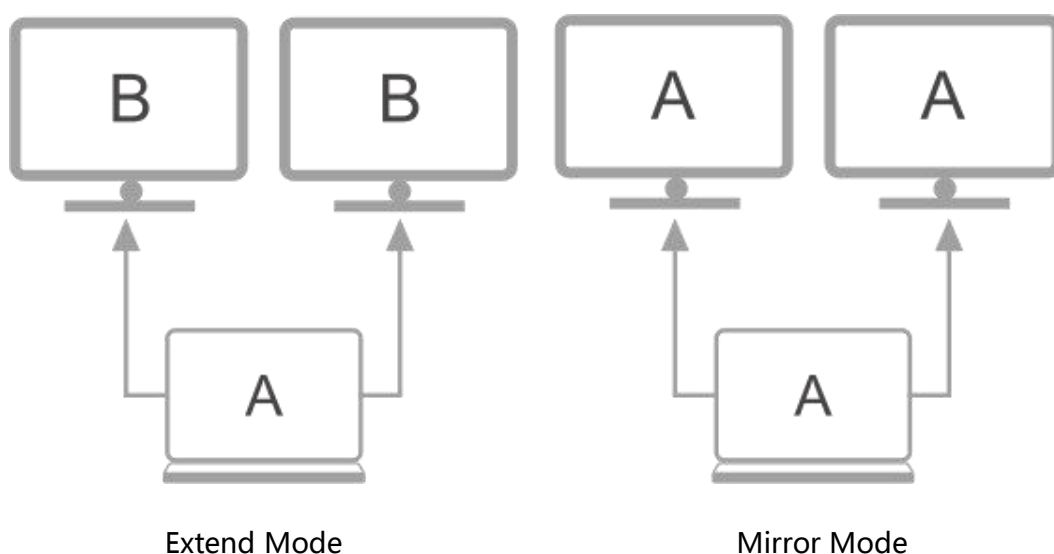
I Product Introduction

This product is a multi-functional extension type-c HUB , compatible with USB3.1 type-c interface of mobile phones , tablets , laptops and computers.Support to the computer , tablet and mobile phone pictures , video , film and television , sound , etc on the TV , projector display devices , such as when your device itself because do not have or lack of related port , the multi-purpose extension HUB can meet the demand of your work entertainment , charging and data reading and writing , mouse , keyboard , such as USB device connection , network connection , such as audio and video output function.

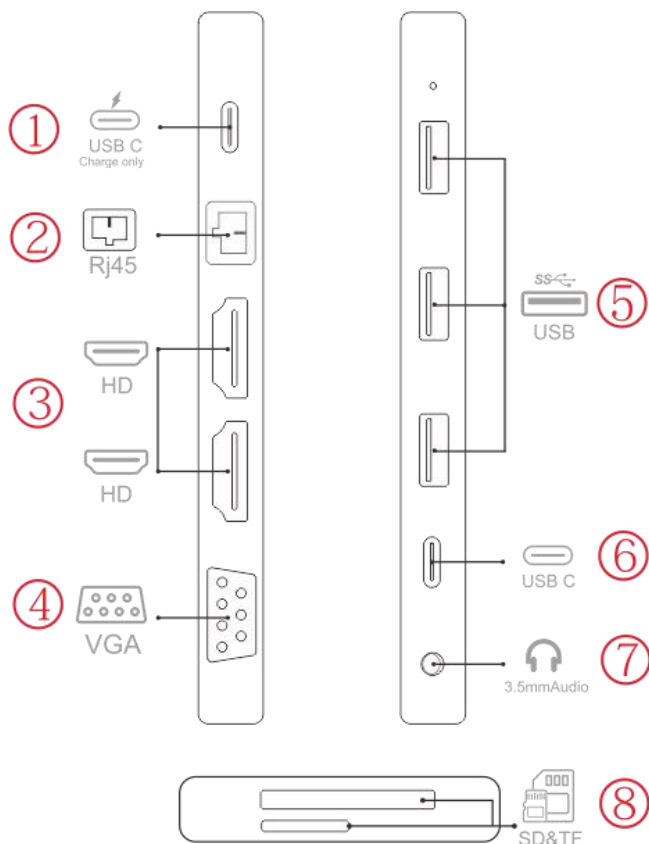
II Compatibility

Made For : MacBook 12" , MacBook Pro 2016/2017/2018/2019 , Mack Book Air 2018/1019 , iPad Pro 2018 , Chrome book , NINTENDO SWITCH , HUAWEI mate 30/mate30pro ,Samsung S10/S9/Note 8/Note 9 ,HP Spectre Pavilion ,Huawei Mate book , Dell XPS series , Mi Air and supports Mobilephones and tablets with DP function.

III Working Mode



IV Product Port Instructions



V Product Parameters

Number	Name	Parameters
①	Type-C(PD) Female port	Support max 100W power adapter
②	Rj45 Ethernet port	10/100M Gigabit Ethernet
③	HDTV	4K*2K(3840*2160) , Downwards Compatible With 1080P , 720P etc.
④	VGA	1080P@60Hz , downward compatible with 1080P , 1080i , 720P
⑤	USB*3	Hight speed USB , up to 5.0 Gbps
⑥	Typ-C port	Hight speed USB-C , up to 5.0 Gbps
⑦	3.5 Audio	3.5mm Audio Output
⑧	SD/TF Card Reader	Support multiple types of TF and SD cards , SD card and TF card can not used at the sametime.

Extend Mode

If both HDMI+VGA are connected, the maximum resolution is 1080P
The maximum resolution of single connection HDMI or simultaneous connection of two HDMI is 3840X2160@30Hz



Windows



Mac



VI Product Precautions

- When using the product , please connect the charger.During the use , the device connected to the product will be disconnected and the data will be lost.The connection will be restored after a few seconds.
- USB ports are recommended for data transmission and should not be used as an output current unless the computer or HUB is connected to a powersupply.
- SD card and TF card can not used at the same time.
- When reading large capacity portable harddisk , please connect PD charging.
- The operating temperature is about 45° , which belongs to normal fever.
- Plug and play , no need to install drivers and Settings.
- When using the same screen function , HD interface supports 4K HD and VGA interface supports 1080P.When connecting HD and VGA at the same time , the resolution is uniform to 1080P.

多功能扩展坞

使用说明书



型号：HSV1521

注：使用产品前请仔细阅读本使用说明书，并请妥善保管。

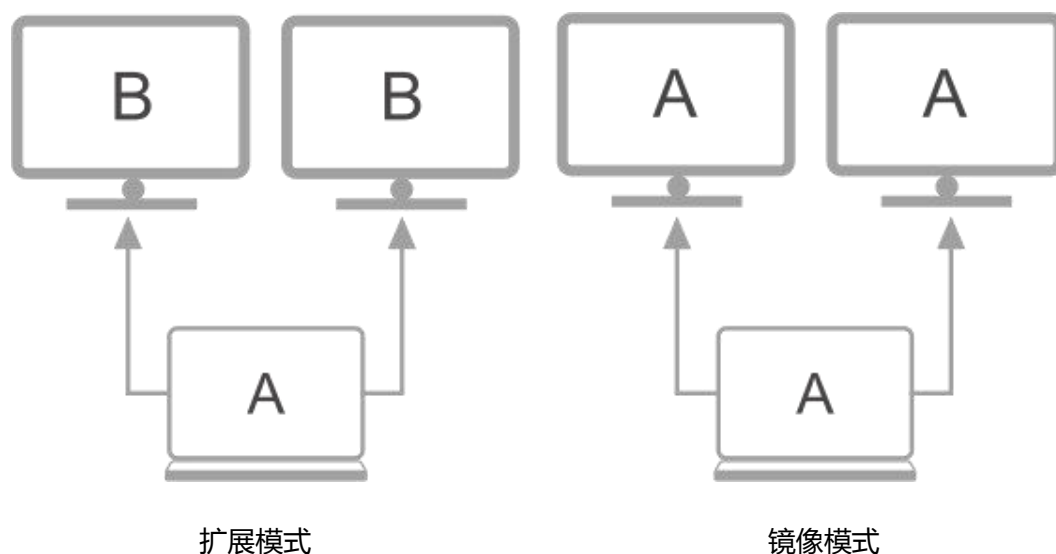
一、产品介绍

此产品是一款多功能扩展 Type-C HUB，兼容 USB3.1 Type-C 接口的手机、平板、笔记本及电脑等。支持将电脑，平板和手机上的图片，视频、影视、声音等内容投放到电视、投影机显示设备上，当您的设备本身由于不具备或是缺少相关端口时，这款多功能扩展 HUB 就能满足您的工作娱乐需求，实现充电、数据读写、鼠标、键盘等 USB 设备连接，网络连接，音视频输出等功能。

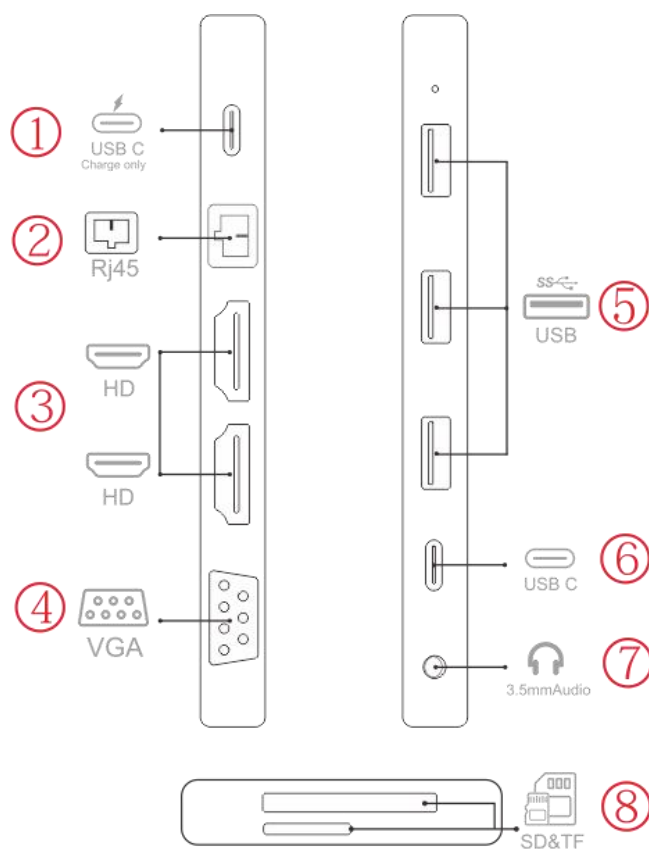
二、兼容性

Made For : MacBook 12" , MacBook Pro 2016/2017/2018/2019 , Mack Book Air 2018/1019 , iPad Pro 2018 , Chromebook , NINTENDO SWITCH , 华为 mate30/mate30pro , 三星 S10/S9/Note 8/Note 9 , 惠普 Spectre Pavilion , 华为 Matebook 系列 , 戴尔 XPS series , 小米 Air 和支持具有 USB3.1 功能接口的设备.

三、同屏功能



四、产品端口说明图示



五、产品参数

序号	接口名称	参数
①	Type-C(PD)接口	最大支持 100W 快充
②	Rj45 接口	自适应 10/100/1000M 以太网
③	HDTV	最大分辨率是 4K*2K
④	VGA	最大分辨率是 1080P60Hz
⑤	USB*3	高速 USB，最大传输带宽 5.0Gbps
⑥	Typ-C 接口	高速 USB-C，最大传输带宽高达 5.0Gbps
⑦	3.5 Audio	3.5mm 音频输出
⑧	SD/TF 接口	支持多种类型的 TF 和 SD 卡，SD 卡槽和 TF 卡插槽不能同时工作



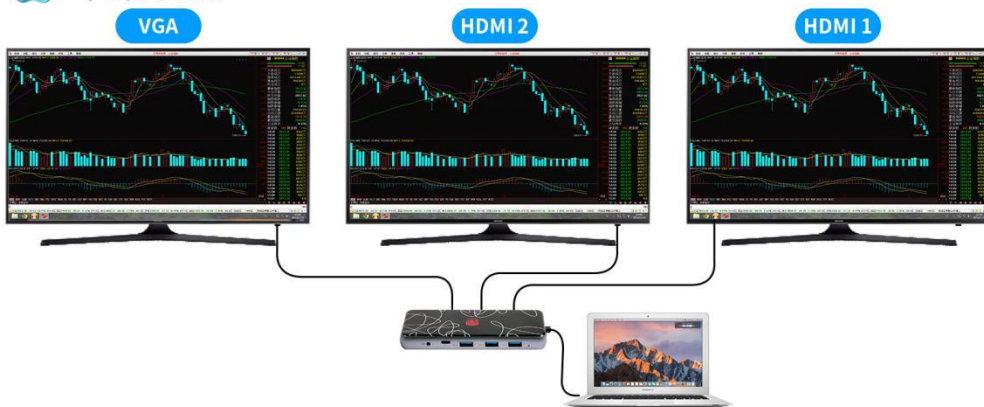
妙联宝®

扩展模式 2个HDMI+VGA都接上的话，支持最大分辨率1080P
单接HDMI或者同时接两个HDMI最大分辨率是3840X2160@30Hz

 Windows 系统



 苹果系统



六、产品注意事项

- 使用本产品时，请连接充电器，在使用过程中，断开会导致产品所连接的设备断开，数据丢失，几秒钟后会恢复连接，为了防止数据丢失，请在使用过程中不要断开电源适配器。
- 建议 USB 端口传输数据，除非将计算机或 HUB 连接到电源，否则尽量不要作为输出电流。
- SD 卡插槽和 TF 卡插槽不能同时工作，一次只能使用一个卡槽。
- 读取大容量移动硬盘时，请连接 PD 充电。
- 工作温度为 45°C 左右，属于正常发热情况。
- 产品各功能即插即用，无需安装驱动及设置。
- 使用同屏功能时，HD 接口支持 4K 高清，VGA 接口支持 1080P，当同时连接 HD 及 VGA 时，分辨率统一为 1080P。